

TCQY系列圆筒初清筛

SERIES DRUM SCALPERATOR



TCQY系列圆筒初清筛

TCQY系列圆筒初清筛是一种原料清理设备。广泛适用于米厂、粮食加工厂及饲料厂等行业。主要用来清除原料中的大杂质。如茎秆、麻绳、石块、纸片等。以保证物料的品质。避免机器设备发生故障或损坏。

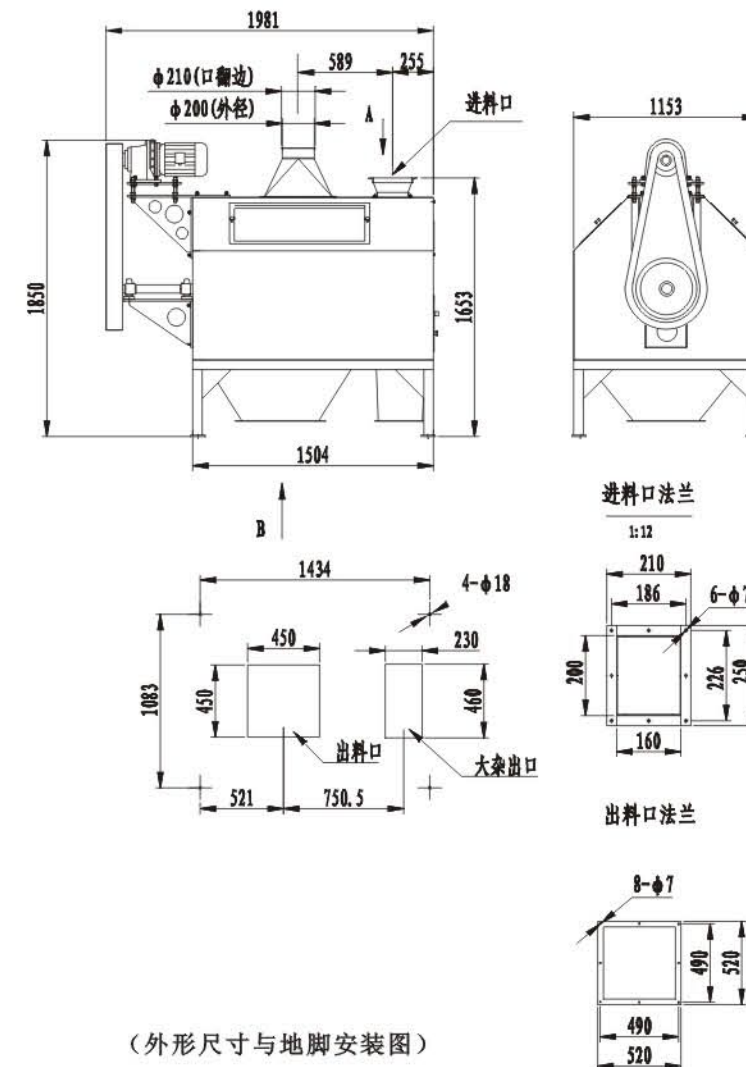
特点

- 产量高
- 功耗小
- 结构紧凑
- 占地面积小
- 换筛方便

TCQY series drum sieve is designed to clean raw material in rice milling plant and feedstuff plant, mainly removing the large impurities such as stalk, hemptwist, clods, fragments of a brick and stone so as to ensure the quality of material and prevent the equipment from be damaged or fault.

Feature

- The unit has the feature such as large capacity, low power, compact construction, small required area, easy to replace the screen, etc.



主要技术参数

型号Type	TCQY100
处理量Output (t/h)	15-25
主机动力Power (kW)	1.1
风量Air volume (m³/h)	720
机重Weight (kg)	480

通过ISO9001国际标准质量体系认证 产品技术参数如有变更恕不另行通知 If technologic data has been changed without further information

E-mail: yongxiangmiji@sohu.com http://www.hbyxlj.com

地址: 湖北省安陆市府河大道2号

ADD: 2 FUHE AVE. ANLU CITY, HUBEI, CHINA

电话(TEL): 0712-5254443 5254445 5258762 传真(FAX): 0712-5254443 邮编(POSTCODE): 432600

湖北永祥粮食机械股份有限公司

HUBEI YONGXIANG FOOD PROCESSING MACHINE CO.,LTD.