

用途简介 USE INTRODUCTION

- MNML50 立式砂辊碾米机是永祥根据国内外稻米加工需要，结合本公司长期研发碾米机械的成熟经验，采用现代机械制造工艺和国际化元件配置，精心设计、制造的先进碾米机，该机主要适用糙米开糙和糙米碾白，是现代大型碾米企业集约化生产配套的主力设备。
- MNML 50 vertical emery roll whitener is well designed and manufactured according to rice processing demands at home and abroad, combined with rich experience in long-term research and development of rice mills and adopting modern manufacturing technology and equipped with international brand parts. The machine is mainly used to process brown rice and make it white. It is the main equipment for the intensive production of modern large-scale rice milling enterprises.



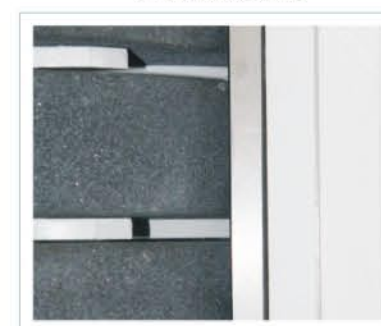
可调出料口方向



活动式筛架



片状砂辊结构



可调米刀



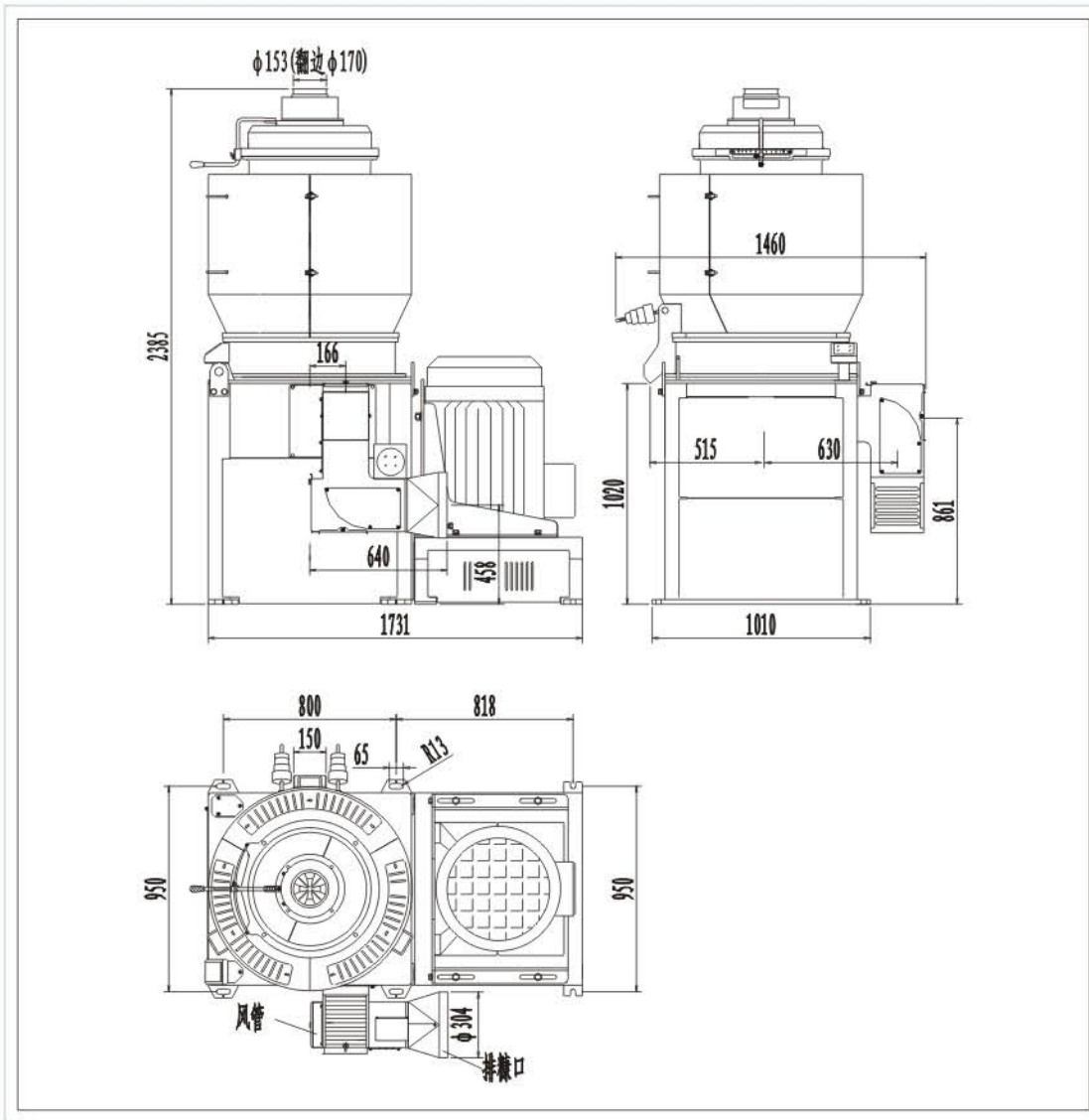
可调风门



可调风门

产品特点 FEATURES

- 采用大风量、高风速碾米技术，产量大，米温低，增碎少。
 - 活动式筛架及片状砂辊结构。
 - 进口元件配置，经久耐用。
 - 电流和负压显示，操作方便。
 - 耐磨件制造工艺先进，使用寿命长。
 - 多方位出料，配套方便。
- Application of rice milling technology with big and high speed of air flow makes capacity big, rice temperature low and broken rice less.
 - Movable screen frame and emery rolls shaped like sheets or layers
 - Imported components, durable in use.
 - Current and negative pressure indication, easy to operate.
 - Wear parts made with advanced manufacturing technology, long service life.
 - Multi-position discharging, convenient for collocation.



主要技术参数 MAIN TECHNICAL DATA

型号 Type	MNML50
处理量 Output(t/h)	8-12
配备动力 Power(kw)	55-75
主轴转速 Rotary speed(rpm)	370-540
负压 Negative pressure(mmH ₂ o)	100-150
风量 Air volume(m ³ /min)	50
机重 Weight(kg) (含75kw电机)	2500

通过ISO9001国际标准质量体系认证 ISO 9001 -2008 Certified

E-mail:yongxiangmiji@sohu.com <http://www.hbyxlj.com>

地址: 湖北省安陆市府河大道2号

ADD: 2 FUHE AVE., ANLU CITY, HUBEI, CHINA

电话(TEL): 0712-5254443 5254445 5258762 传真(FAX): 0712-5254443 邮编(POSTCODE): 432600

MNML50

立式砂辊碾米机

VERTICAL EMERY ROLL WHITENER



湖北永祥粮食机械股份有限公司

HUBEI YONGXIANG FOOD PROCESSING MACHINE CO.,LTD.